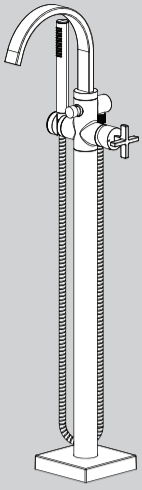
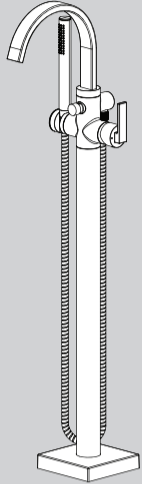


## INSTRUCTIONS FOR MODELS

SB-2534



SB-2536



### NEED HELP?

For additional assistance or service please contact:

**SPEAKMAN®**

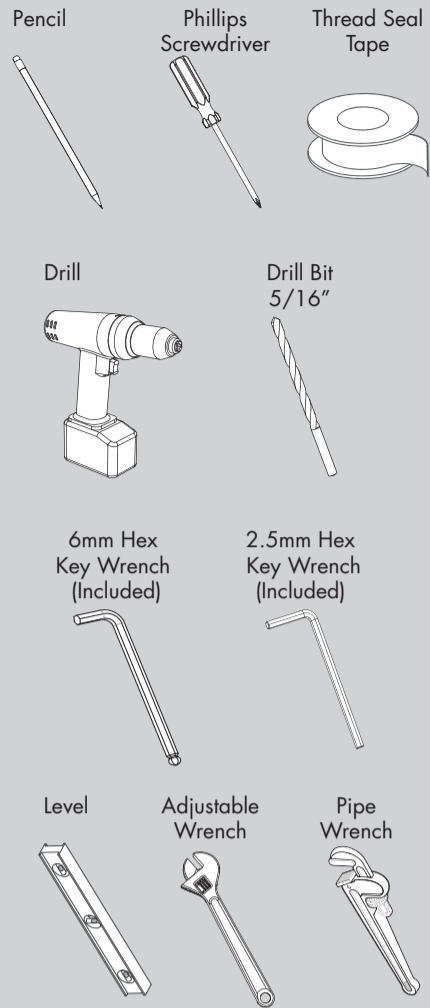
800-537-2107

customerservice@speakman.com

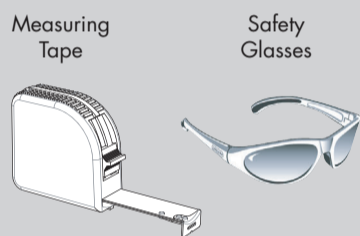
www.speakman.com

92-SB-2534-36-01

## TOOLS AND SUPPLIES



### HELPFUL TOOLS & SUPPLIES:



## IMPORTANT

### SAFETY TIPS

- Be sure to read instructions thoroughly before beginning installation.
- Cover the installation area(s) as deemed necessary to prevent any loss of parts.

### MAINTENANCE

Your new Speakman Product is designed for years of trouble-free performance. Keep it looking new by cleaning it periodically with a soft cloth. The use of harsh chemicals and abrasives on any of the Speakman custom finish products may damage the finish and void the product warranty. Please be sure to only use approved cleaners. Please contact Speakman for any clarification of acceptable cleaners.

### WARRANTY

Warranty information can be found at: [www.speakman.com](http://www.speakman.com)

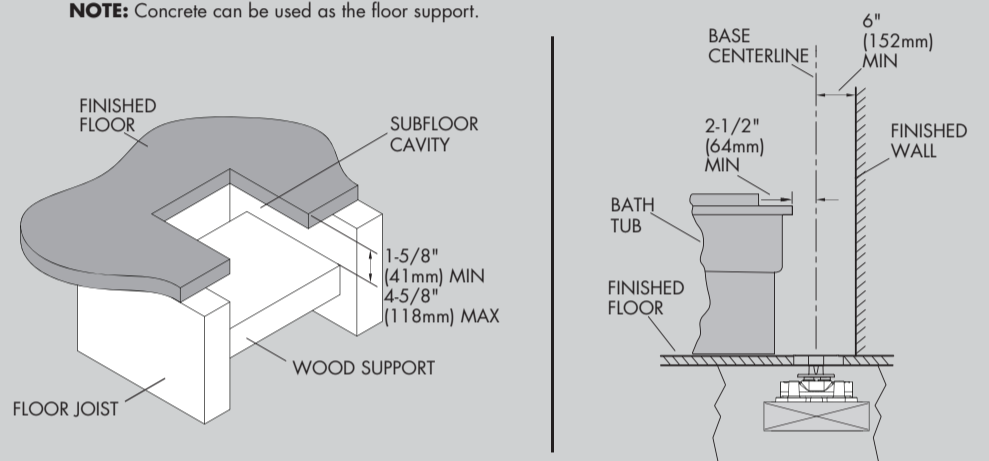
## IMPORTANT

- Do not over-tighten any connections or damage may occur.
- Shut off the water supply before beginning installation.
- This installation manual covers several models. While your models may look different, it will install in the same manner.
- This Faucet has an operating range of 20-80 psi.
- **CAUTION:** Risk of personal injury. Do not use the bath filler as a grab bar or support bar when entering or exiting the bath. The bath filler is not designed to support weight.
- Observe all local plumbing and building codes.
- Use appropriate drill bits for wood and other materials.
- Installer supplied copper tubing (if used) must be 5/8" OD (1/2" Nominal).

## SITE PREPARATION

- IMPORTANT!** Lumber required for Wood Support shall be at least 2 x 6 dimensional lumber.
  - Plan out the bath filler placement based on the dimensions in the "ROUGH-IN DIAGRAM".
  - Cut a hole in the subfloor large enough to install the wood support between two floor joists.
  - Secure a wood support 1-5/8" (41mm) - 4-5/8" (118mm) below the height of the finished floor.

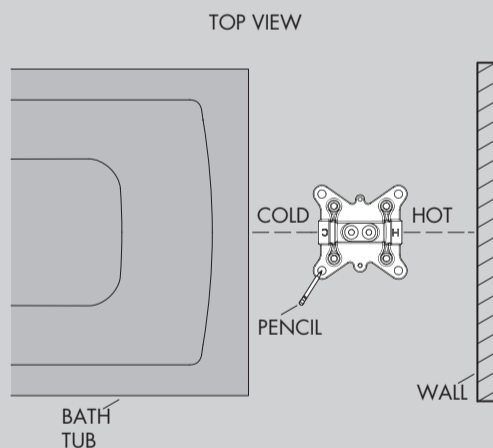
**NOTE:** Concrete can be used as the floor support.



**NOTICE:** Adequate floor support is required. The wood support must be a minimum of **1.5" (38mm)** thick by **5.5" (140mm)** wide. **2x6 lumber** is adequate for this application.

## SPOUT ORIENTATION

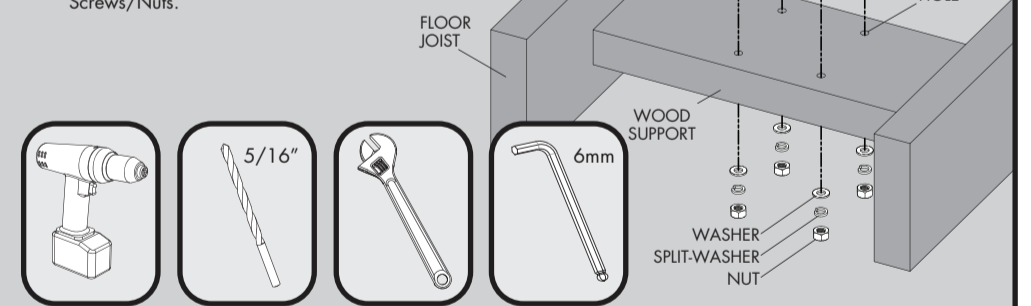
- Orient the Base with the cold supply side in the direction shown.
    - If possible, dry fit the Faucet to the Base using the Screws and Washers. Orient the Spout to the inside of the bath tub.
    - If your Faucet is not available at this time, make sure the Base is positioned so the Faucet will properly run water into the bath tub.
    - Mark the mounting hole locations on the wooden support.
    - Mark the orientation of the Base on the wooden support for reference.
- NOTE:** The Base has embossed letters "C" and "H" to indicate cold and hot supply sides, respectively. Ensure that the Base is oriented with "C" being towards the "TUB" side and "H" being towards the "WALL" side.



**NOTE:** Verify correct Spout orientation before securing the Base to the wooden support.

## BASE INSTALLATION

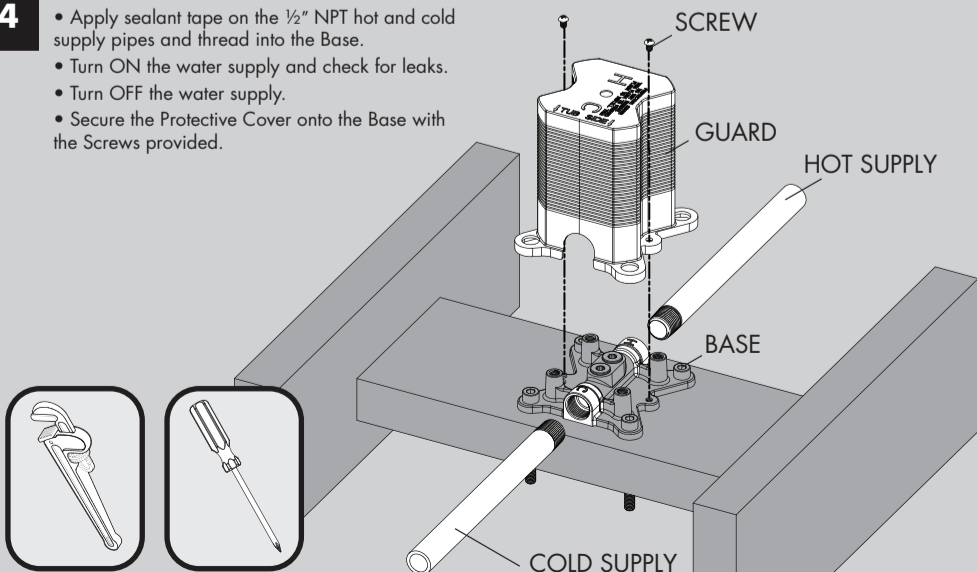
- If attached, remove the Faucet from the Base.
  - Drill holes through the wood support with a 5/16" drill bit (not provided) using the marked locations as the center point.
  - If using concrete as the floor support, use appropriate mounting hardware (not provided).
  - Realign the Base to the position as marked.
  - Secure the Base to the support with the Screws, Nuts, Split-Washers and Washers provided.
  - Verify the Base is level and tighten the Screws/Nuts.



**NOTE:** Floor structure shown is for **REFERENCE ONLY**. Ensure your installation is properly oriented to the Bath Tub.

## SUPPLY CONNECTIONS

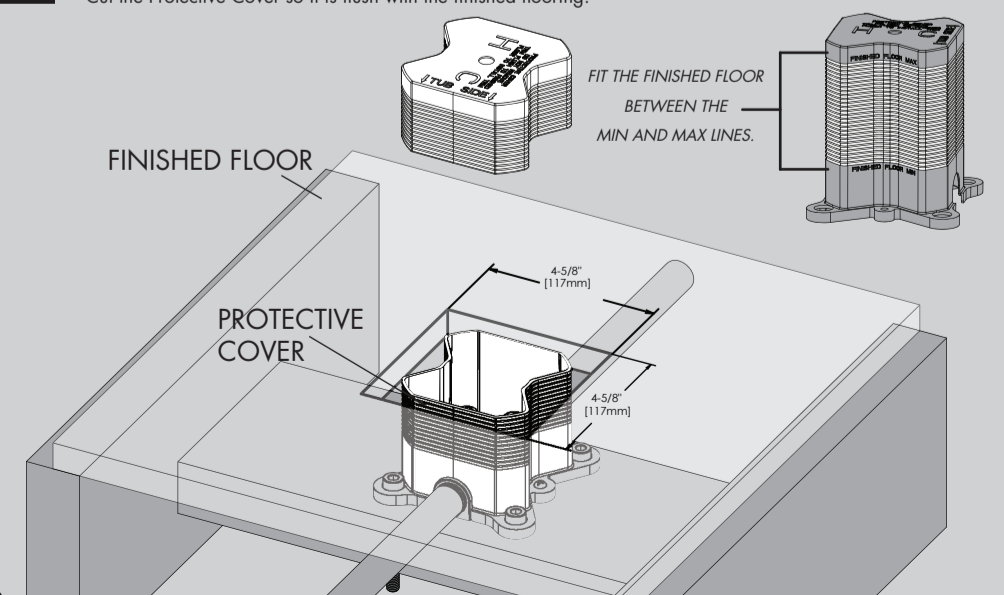
- Apply sealant tape on the 1/2" NPT hot and cold supply pipes and thread into the Base.
  - Turn ON the water supply and check for leaks.
  - Turn OFF the water supply.
  - Secure the Protective Cover onto the Base with the Screws provided.



**NOTE:** The Base has embossed letters "C" and "H" to indicate cold and hot supply sides, respectively.

## FINISHED FLOOR INSTALLATION

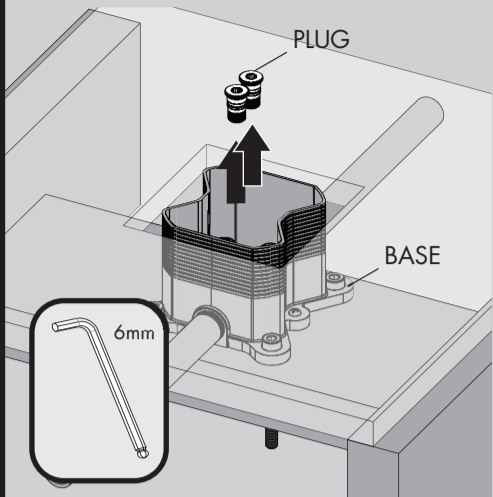
- Finish the floor leaving a 4-5/8" (117mm) by 4-5/8" (117mm) square hole for the Protective Cover.
  - Cut the Protective Cover so it is flush with the finished flooring.



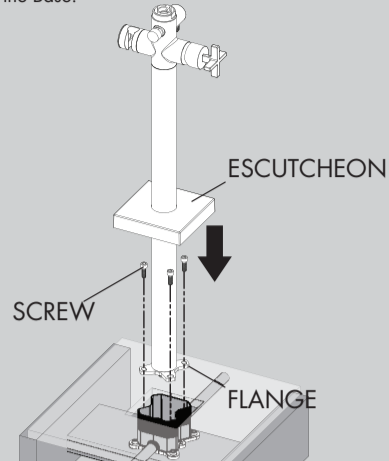
## FAUCET INSTALLATION

6

- Make sure the water is turned OFF.
- Relieve the water pressure.
- Remove the Plugs from the Base.



- Place the Faucet onto the Base and insert the Screws provided through the Flange.
- Tighten the Screws using the Hex Wrench provided.
- Slide the Escutcheon down onto the finished floor, covering the Base.

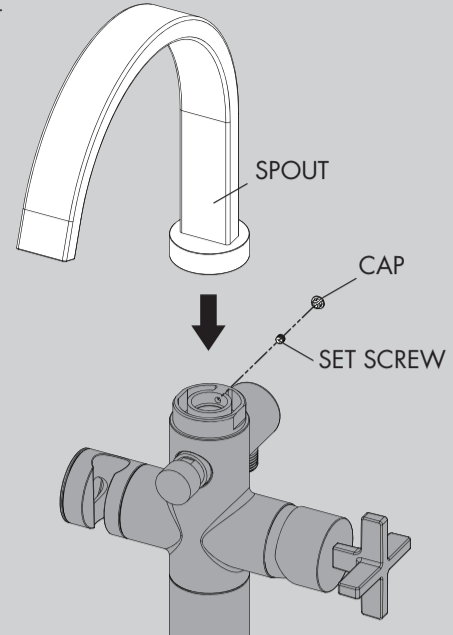


**NOTICE:** To avoid damage to the O-rings on the bottom of the faucet, keep the faucet vertical and use care when installing the faucet.

## SPOUT INSTALLATION

7

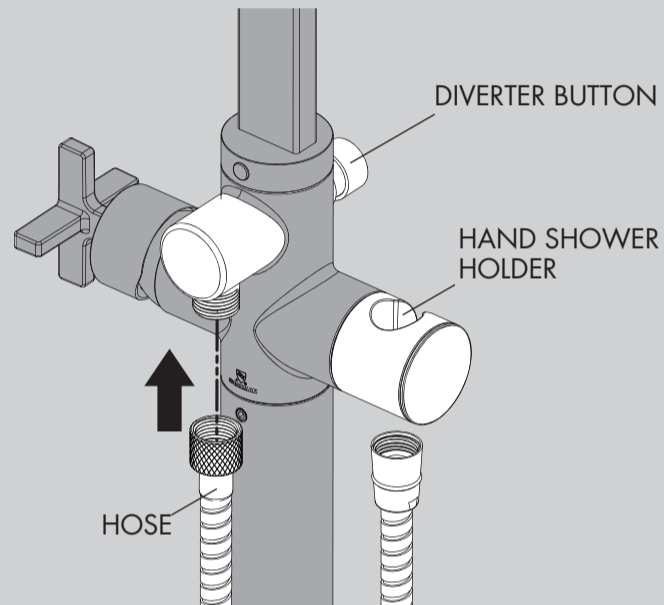
- Install the Spout as shown.



## HAND SHOWER HOSE INSTALLATION

8

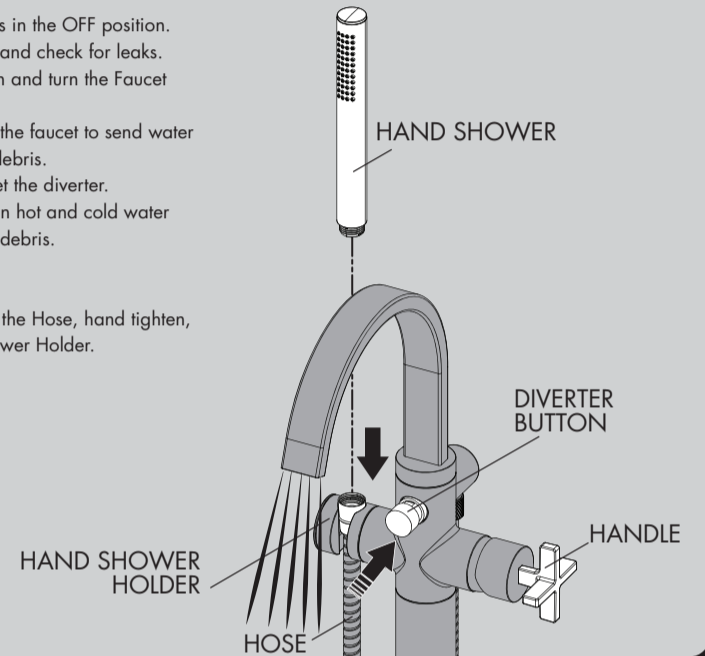
- Install the Hand Shower flexible hose as shown. Hand tighten connections.



## CONFIRM PROPER INSTALLATION

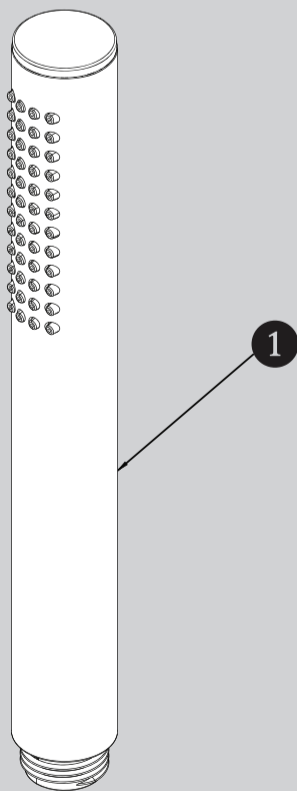
9

- Ensure the Faucet Handle is in the OFF position.
- Turn on the water supplies and check for leaks.
- Point the Hose into the bath and turn the Faucet Handle to the ON position.
- Push the Diverter Button of the faucet to send water through the hose to remove debris.
- Turn the Faucet OFF to reset the diverter.
- Turn the Faucet ON and run hot and cold water through the Spout to remove debris.
- Check for leaks.
- Turn the Faucet OFF.
- Install the Hand Shower to the Hose, hand tighten, and place into the Hand Shower Holder.

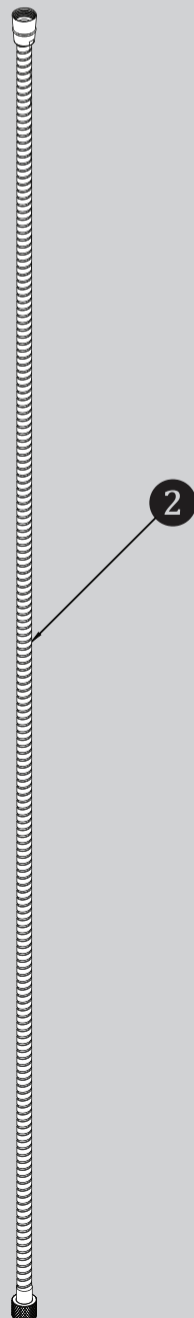


## SB-2534 / SB-2536 REPAIR PARTS

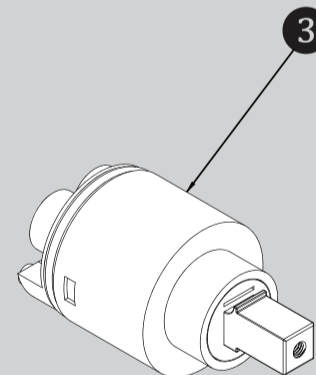
**SPEAKMAN®**



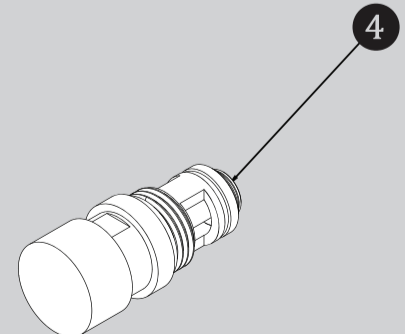
1



2



3



4

ITEM NO.	PART NO.	DESCRIPTION
1	RPG05-105440	HANDHELD REPAIR GROUP
2	RPG63-112940	HOSE REPAIR GROUP
3	RPG05-112951	CARTRIDGE REPAIR GROUP
4	RPG05-112932	WATER DIVERTER REPAIR GROUP

**NOTES:**

**COMPLIANCE:**

ASME A12.18.1/CSA B125.1  
EPA Watersense (Hand Shower Only)

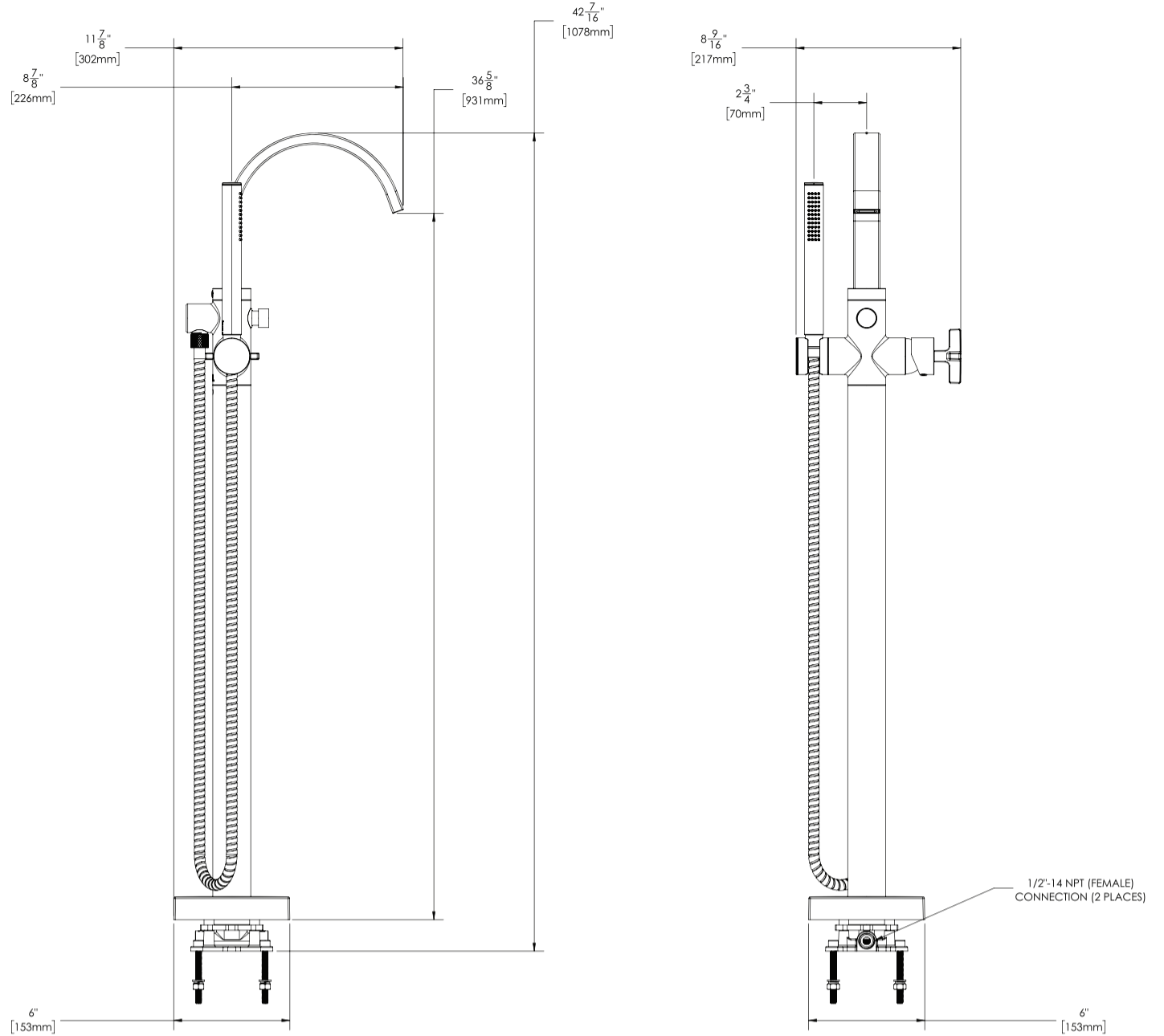
**FLOW DATA:**

Max. Flow Rate (Hand Shower Only):  
1.5 gpm (5.7L/min)

**CONNECTIONS:**

- Inlets: 1/2" NPT Female

Contractor to supply necessary inlet connections.



DIMENSIONS SUBJECT TO CHANGE WITHOUT NOTICE.

**NOTES:**

**COMPLIANCE:**

ASME A12.18.1/CSA B125.1  
EPA Watersense (Hand Shower Only)

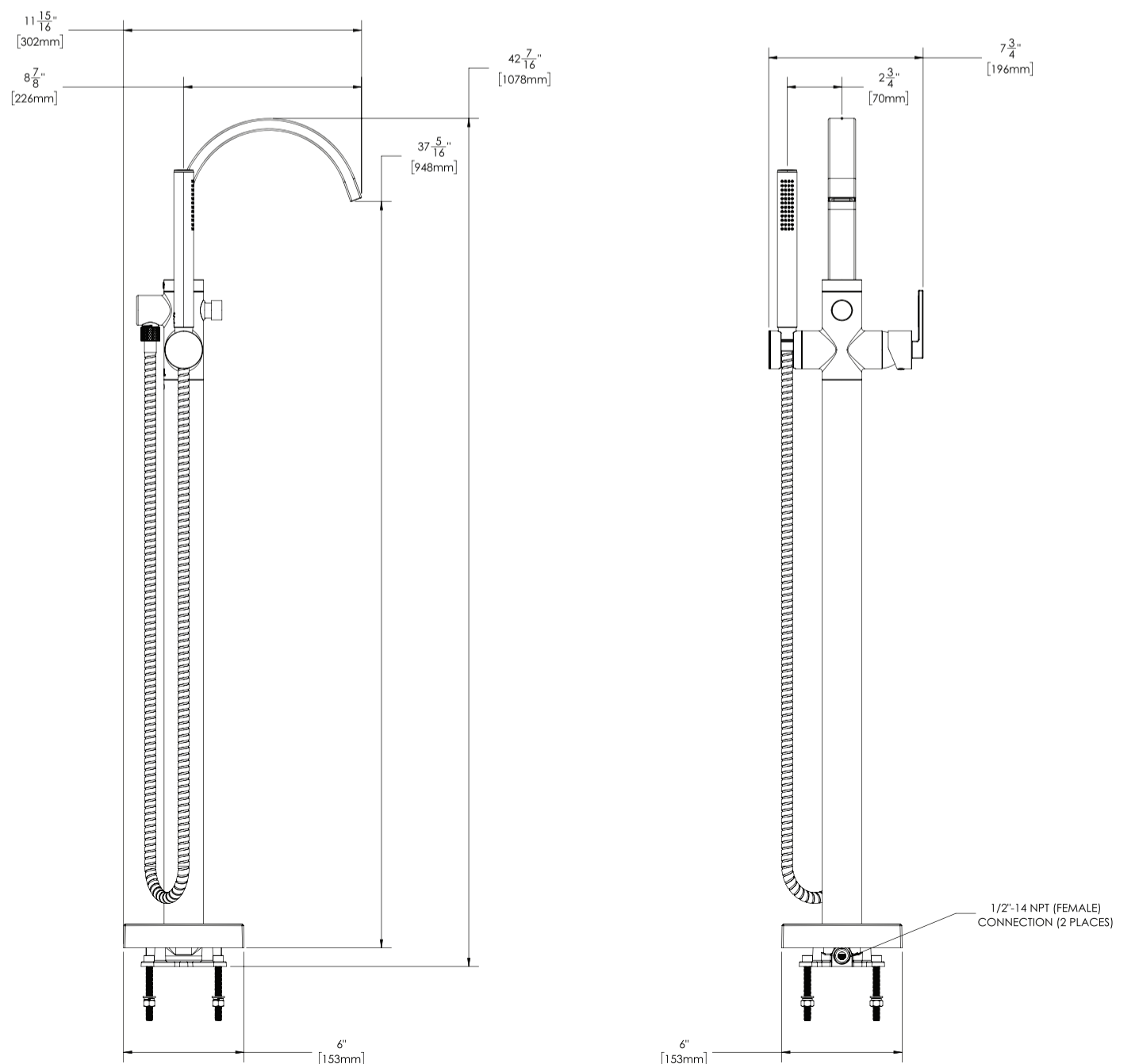
**FLOW DATA:**

Max. Flow Rate (Hand Shower Only):  
1.5 gpm (5.7L/min)

**CONNECTIONS:**

- Inlets: 1/2" NPT Female

Contractor to supply necessary inlet connections.



DIMENSIONS SUBJECT TO CHANGE WITHOUT NOTICE.